



Excellence in design

Keypad Panel Series

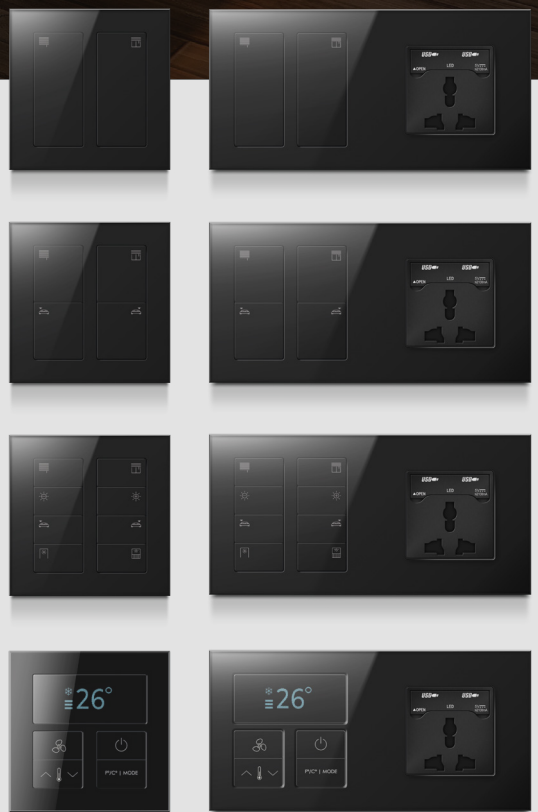
ALBA®

ALBA's look is elegant and clean. A simple touch allows you to control an entire home or building automation system.

Wide variety of RAL and Pantone surface color options, the panels are highly customizable. Select the color of RGB backlights and choose from hundreds of icons and control functions to create the most personalized design.

ALBA's keypad buttons and faceplates are flush to each other, creating a perfectly smooth surface. The buttons are large and easy-to-use with engraved icons and texts. A subtle click confirms user touch.

It's a timeless design for wherever you stay.



www.blacknova.co

© 2019 Black Nova Co. All rights reserved.

bn BLACK NOVA

Keypad Panel Series

Product Specification



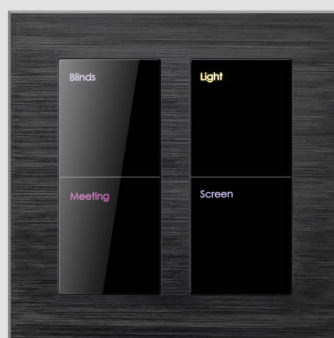
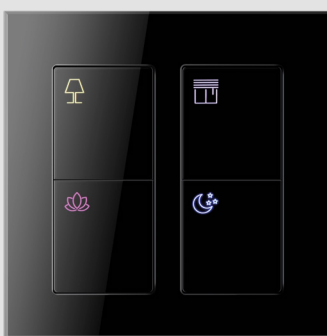
Product Type	ALBA 2 Buttons	ALBA 4 Buttons	ALBA 8 Buttons	ALBA Thermostat
Power Supply	KNX version: 30V DC, with auxiliary 20-30V DC power supply for backlights Cresnet version: 24V DC ±10% RS-485 version: 24V DC ±10%			
Current Consumption	≤2W			
Physical Interfaces	KNX TP, RS-485 or Cresnet			
Communication Protocols	KNX, Modbus or Cresnet			
Temperature Sensor	NTC, 0.5 °C accuracy			
Humidity Sensor (if available)	-			Wide Range
Screen Type	-			OLED
Max Quantity of Buttons	2	4	8	4
Status Indicators / Backlight	Individually programmable backlight color and brightness (KNX version: auxiliary 20-30V DC power supply required)			
Warm Up Time	10 seconds			
Faceplate Options	Glass or Metal frame with customizable background colors and Glass push buttons			
Case Material	PC			
Mounting	Snap-in magnetic and mechanical locking			
Dimensions (H x W x D)	95 x 95 x 8.5 mm			
Weight	155 g			
Operating Temperature Range	0 °C - +45 °C			
Operating Humidity Range	90% R.H. max – non-condensing			
Storage and Transportation Temperature Range	-10 °C – +70 °C			
Storage and Transportation Humidity Range	90% R.H. max – non-condensing			
Protection Level	IP20			

Keypad Panel Series

Customization Examples

Various button and background color options

- Reference product images - different RAL and PANTONE colors are available upon request
- Reference icons - please contact the Sales department for the full list of icons



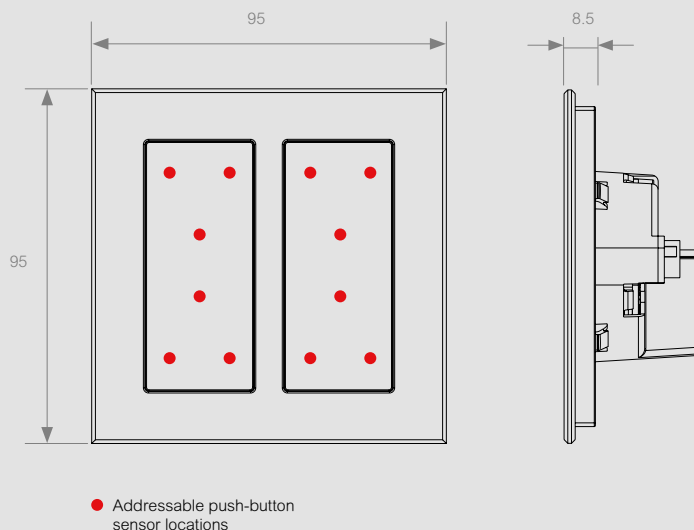
ALBA 2 Buttons

General purpose panel - 2 push buttons,
available in glass and metal



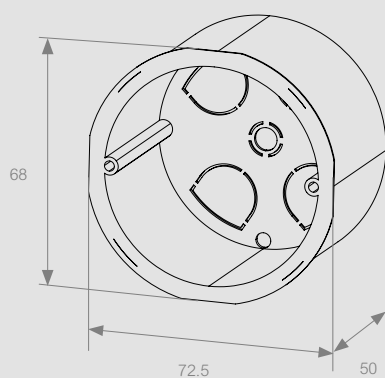
Product Dimensions

Front and side view (mm)

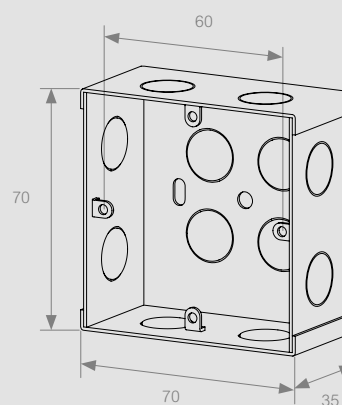


Required Back Box Dimensions

EU 2M Standard, Isometric view (mm)



UK 3x3 Standard, Isometric view (mm)



* Back box type must be defined at the time of order. Unless otherwise specified brackets for UK 3x3 back box will be provided.

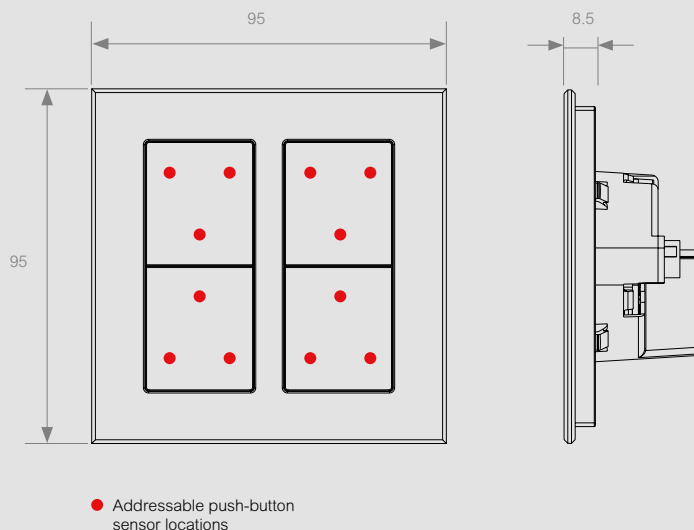
ALBA 4 Buttons

General purpose panel - 4 push buttons,
available in glass and metal



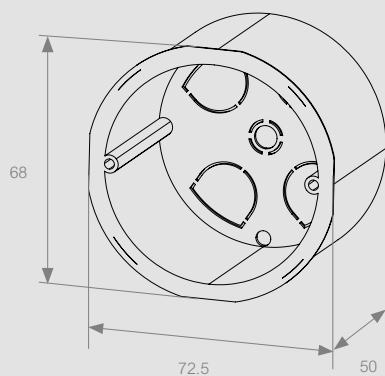
Product Dimensions

Front and side view (mm)

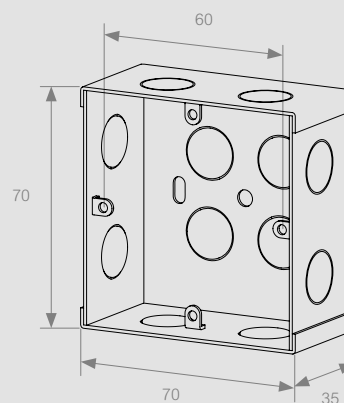


Required Back Box Dimensions

EU 2M Standard, Isometric view (mm)



UK 3x3 Standard, Isometric view (mm)



* Back box type must be defined at the time of order. Unless otherwise specified brackets for UK 3x3 back box will be provided.

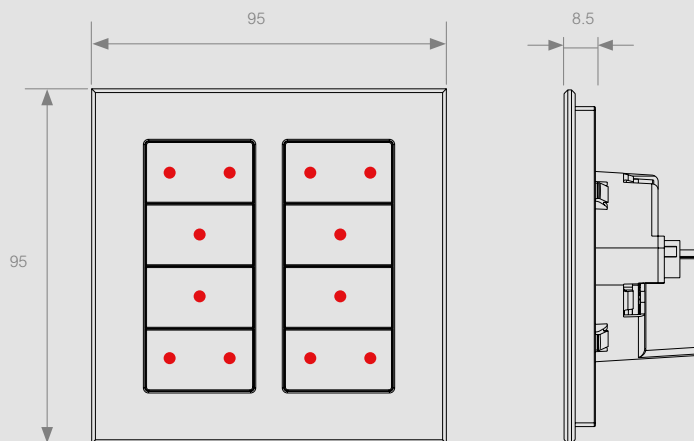
ALBA 8 Buttons

General purpose panel - 8 push buttons,
available in glass and metal



Product Dimensions

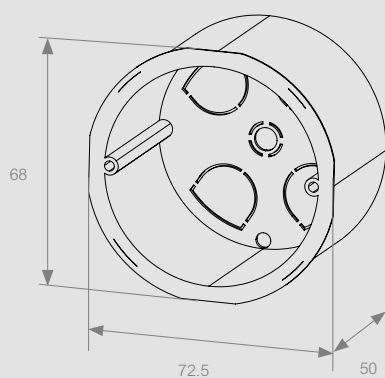
Front and side view (mm)



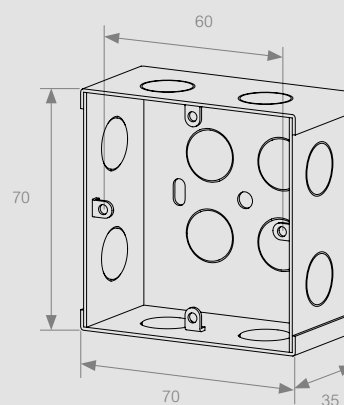
● Addressable push-button sensor locations

Required Back Box Dimensions

EU 2M Standard, Isometric view (mm)



UK 3x3 Standard, Isometric view (mm)



* Back box type must be defined at the time of order. Unless otherwise specified brackets for UK 3x3 back box will be provided.

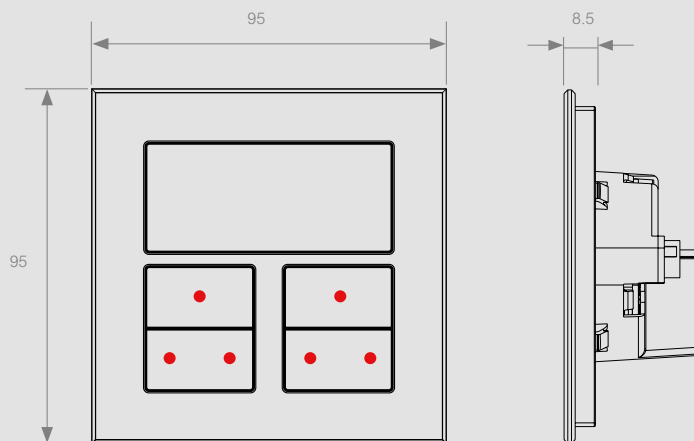
ALBA Thermostat

Multipurpose display - 4 push buttons with humidity sensor, available in glass and metal



Product Dimensions

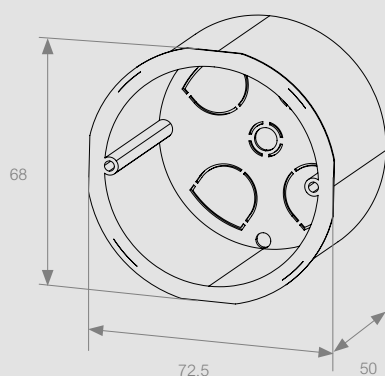
Front and side view (mm)



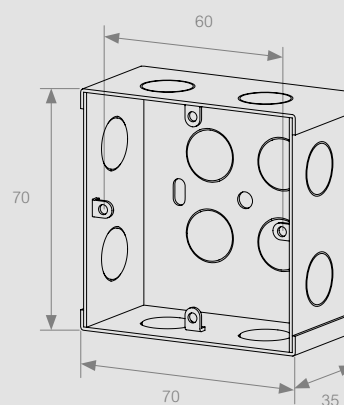
● Addressable push-button sensor locations

Required Back Box Dimensions

EU 2M Standard, Isometric view (mm)



UK 3x3 Standard, Isometric view (mm)



* Back box type must be defined at the time of order. Unless otherwise specified brackets for UK 3x3 back box will be provided.

ALBA Socket Series

Product Specification



Product Type	ALBA 2 Buttons & Socket	ALBA 4 Buttons & Socket	ALBA 8 Buttons & Socket	ALBA Thermostat & Socket
Power Supply	KNX version: 30V DC, with auxiliary 20-30V DC power supply for backlights Cresnet version: 24V DC ±10% RS-485 version: 24V DC ±10%			
Current Consumption	≤2W			
Physical Interfaces	KNX TP, RS-485 or Cresnet			
Communication Protocols	KNX, Modbus or Cresnet			
Temperature Sensor	NTC, 0.5 °C accuracy			
Max Quantity of Buttons	2	4	8	4
Status Indicators / Backlight	Individually programmable backlight color and brightness (KNX version: auxiliary 20-30V DC power supply required)			
Warm Up Time	10 seconds			
Faceplate Options	Glass or Metal frame with customizable background colors and Glass push buttons			
Socket Options	Adapter for Legrand			
Number of Sockets	1			
Case Material	PC			
Mounting	Snap-in magnetic and mechanical locking			
Dimensions (H x W x D)	195 x 95 x 8.5 mm			
Weight	307 g			
Operating Temperature Range	0 °C - +45 °C			
Operating Humidity Range	90% R.H. max – non-condensing			
Storage and Transportation Temperature Range	-10 °C – +70 °C			
Storage and Transportation Humidity Range	90% R.H. max – non-condensing			
Protection Level	IP20			

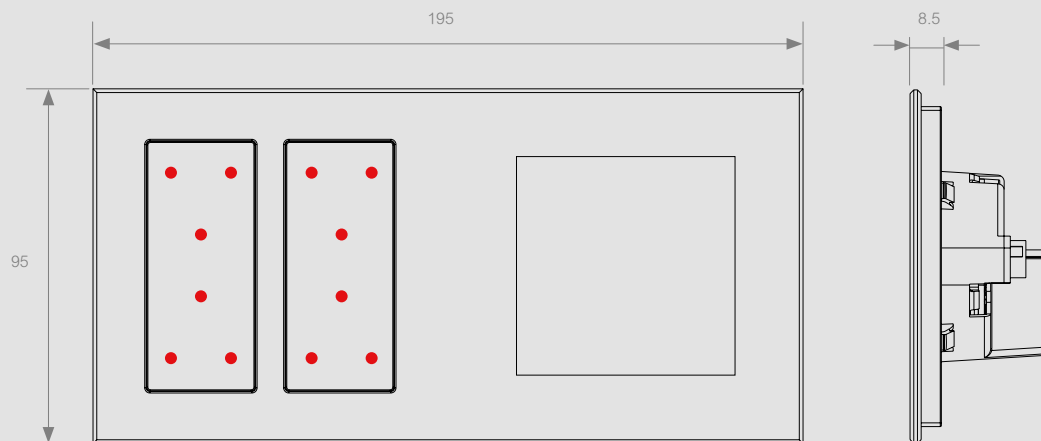
ALBA 2 Buttons & Socket

General purpose panel with a socket - 2 push buttons, available in glass and metal



Product Dimensions

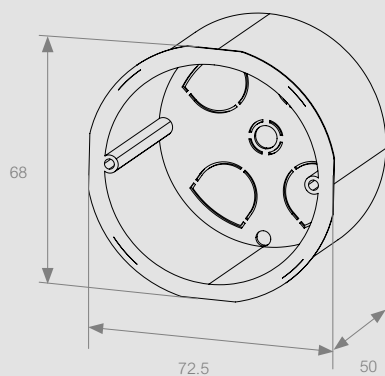
Front and side view (mm)



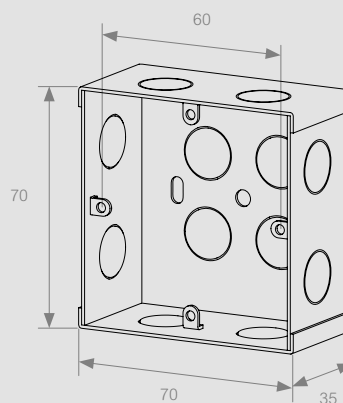
● Addressable push-button sensor locations

Required Back Box Dimensions

2x EU 2M Standard, Isometric view (mm)



2x UK 3x3 Standard, Isometric view (mm)



- * Back box type must be defined at the time of order. Unless otherwise specified brackets for UK 3x3 back box will be provided
- * Sockets are not comply with EU 2M back box
- * Back box depth must comply with specific installed socket (shaver, ethernet plug, phone plug, USB ports, etc.)

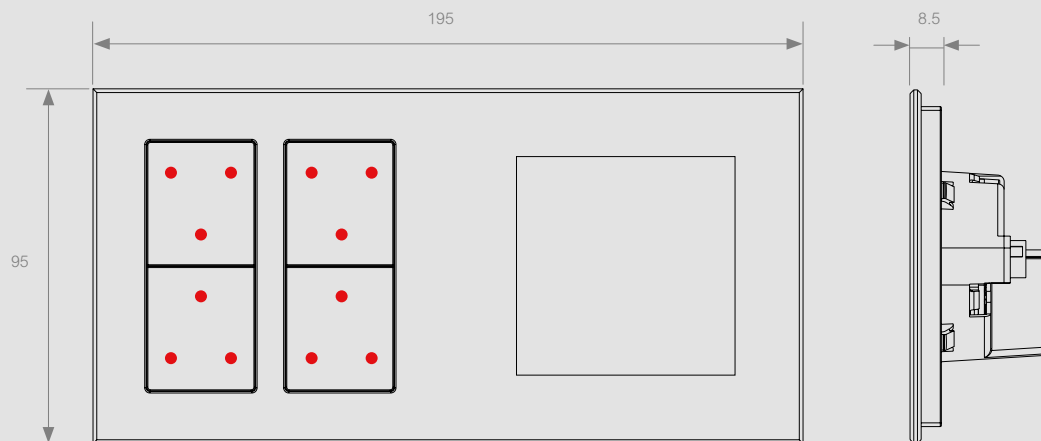
ALBA 4 Buttons & Socket

General purpose panel with a socket - 4 push buttons, available in glass and metal



Product Dimensions

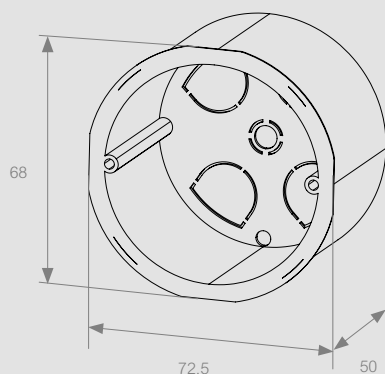
Front and side view (mm)



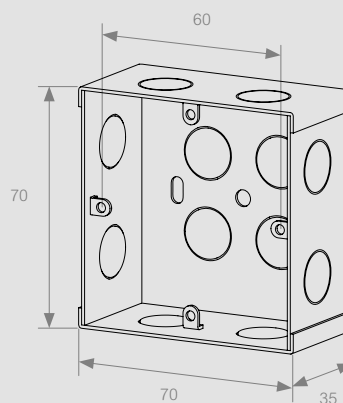
● Addressable push-button sensor locations

Required Back Box Dimensions

2x EU 2M Standard, Isometric view (mm)



2x UK 3x3 Standard, Isometric view (mm)



- * Back box type must be defined at the time of order. Unless otherwise specified brackets for UK 3x3 back box will be provided
- * Sockets are not comply with EU 2M back box
- * Back box depth must comply with specific installed socket (shaver, ethernet plug, phone plug, USB ports, etc.)

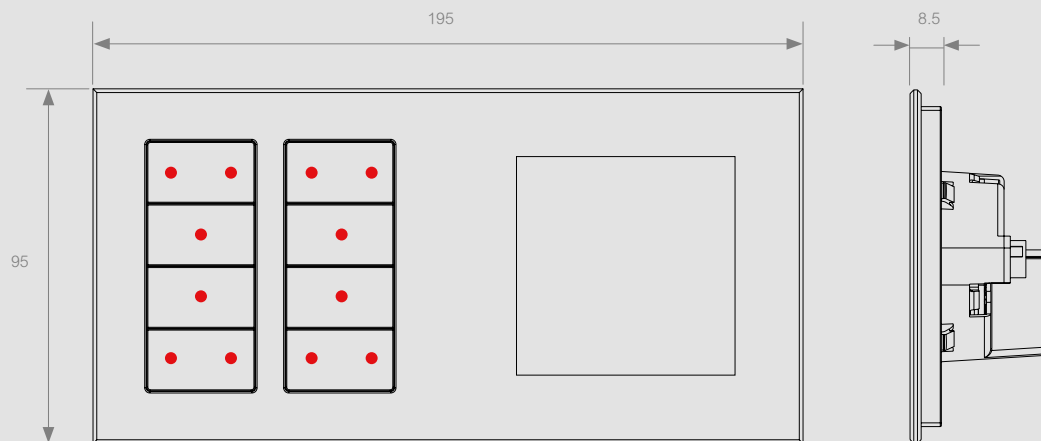
ALBA 8 Buttons & Socket

General purpose panel with a socket - 8 push buttons, available in glass and metal



Product Dimensions

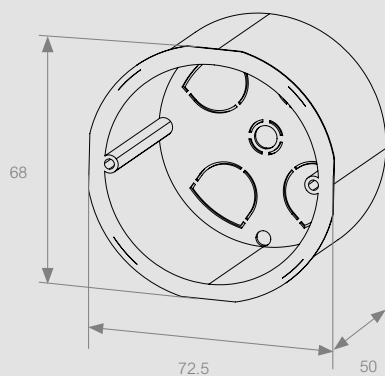
Front and side view (mm)



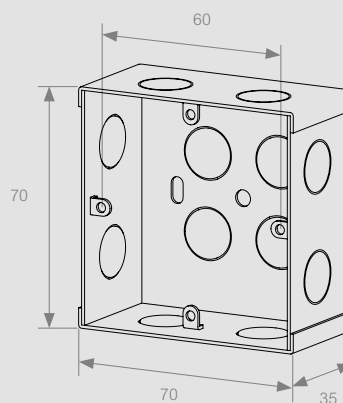
● Addressable push-button sensor locations

Required Back Box Dimensions

2x EU 2M Standard, Isometric view (mm)



2x UK 3x3 Standard, Isometric view (mm)



- * Back box type must be defined at the time of order. Unless otherwise specified brackets for UK 3x3 back box will be provided
- * Sockets are not comply with EU 2M back box
- * Back box depth must comply with specific installed socket (shaver, ethernet plug, phone plug, USB ports, etc.)

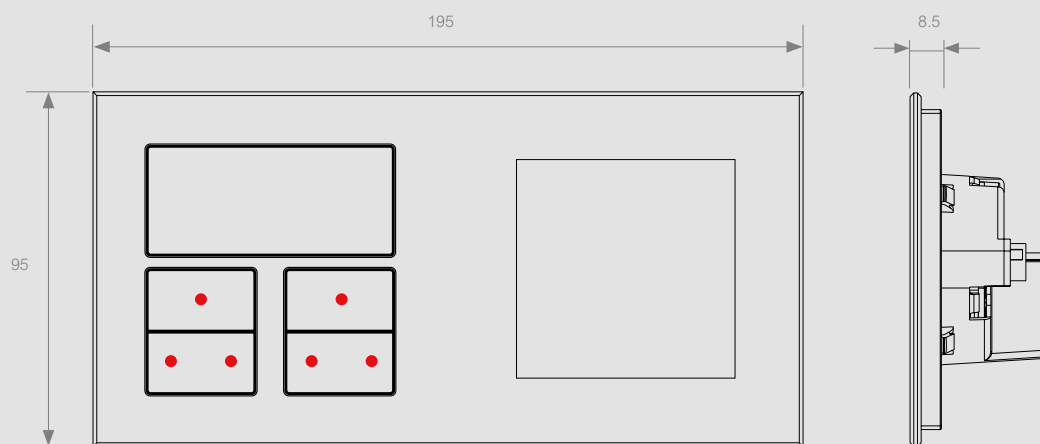
ALBA Thermostat & Socket

Multipurpose display with a socket - 4 push buttons with humidity sensor, available in glass and metal



Product Dimensions

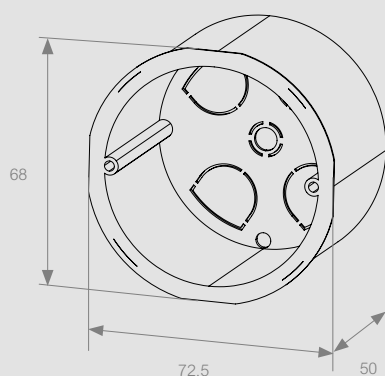
Front and side view (mm)



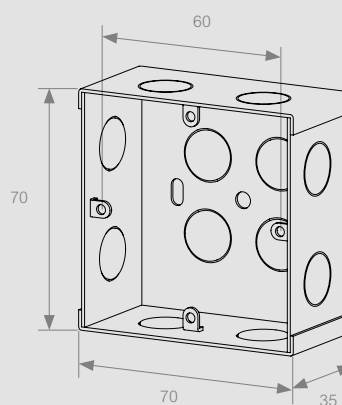
● Addressable push-button sensor locations

Required Back Box Dimensions

2x EU 2M Standard, Isometric view (mm)



2x UK 3x3 Standard, Isometric view (mm)



- * Back box type must be defined at the time of order. Unless otherwise specified brackets for UK 3x3 back box will be provided
- * Sockets are not comply with EU 2M back box
- * Back box depth must comply with specific installed socket (shaver, ethernet plug, phone plug, USB ports, etc.)