



Excellence in design

Touch Panel Series

ARIA®

The finishing touch of any modern interior. A simple touch allows you to control an entire home or building automation system.

Wide variety of RAL and Pantone surface color options, the panels are highly customizable. Select the color of RGB backlights and choose from hundreds of icons and control functions to create the most personalized design.

The ARIA Collection is available in different control configurations up to 12 control touch-points and a Thermostat control panel with built-in temperature and humidity sensor.



Touch Panel Series

Product Specification



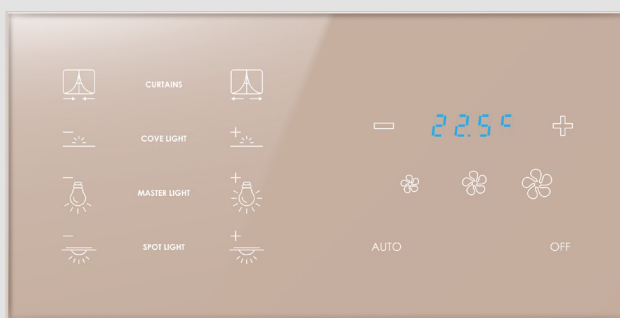
Product Type	ARIA 9 Buttons	ARIA 12 Buttons	ARIA Thermostat	ARIA 9 Buttons & Thermostat	ARIA 12 Buttons & Thermostat
Power Supply	KNX version: 30V DC, with auxiliary 20-30V DC power supply for backlights Cresnet version: 24V DC $\pm 10\%$ RS-485 version: 24V DC $\pm 10\%$				
Current Consumption	$\leq 2W$			$\leq 4W$	
Physical Interfaces	KNX TP, RS-485 or Cresnet				
Communication Protocols	KNX, Modbus or Cresnet				
Temperature Sensor	NTC, 0.5 °C accuracy				
Humidity Sensor (if available)	-		Wide Range		
Screen Type	-		7-segment, 4-digit display		
Max Quantity of Buttons	9	12	10	19	22
Status Indicators / Backlight	Individually programmable backlight color and brightness (KNX version: auxiliary 20-30V DC power supply required)				
Warm Up Time	10 seconds				
Faceplate Options	Glass surface with customizable background color				
Case Material	PC				
Mounting	Snap-in magnetic and mechanical locking				
Dimensions (H x W x D)	95 x 95 x 9.5 mm			195 x 95 x 9.5 mm	
Weight	155 g			270 g	
Operating Temperature Range	0 °C - +45 °C				
Operating Humidity Range	90% R.H. max – non-condensing				
Storage and Transportation Temperature Range	-10 °C – +70 °C				
Storage and Transportation Humidity Range	90% R.H. max – non-condensing				
Protection Level	IP20				

Touch Panel Series

Customization Examples

Various button and background color options

- Reference product images - different RAL and PANTONE colors are available upon request
- Reference icons - please contact the Sales department for the full list of icons



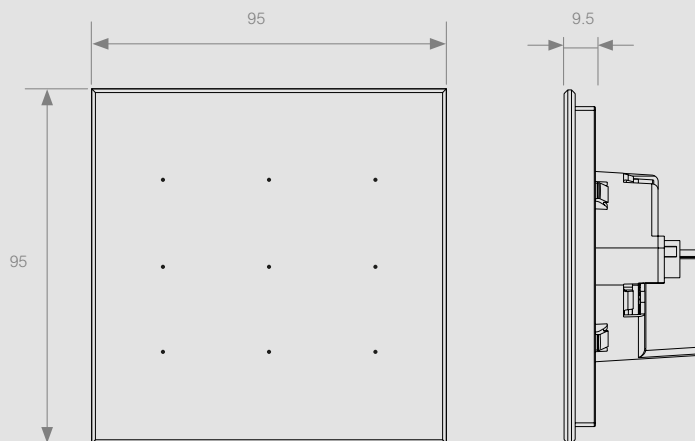
ARIA 9 Buttons

General purpose touch panel - up to 9 buttons



Product Dimensions

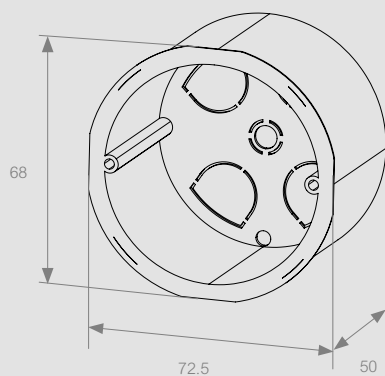
Front and side view (mm)



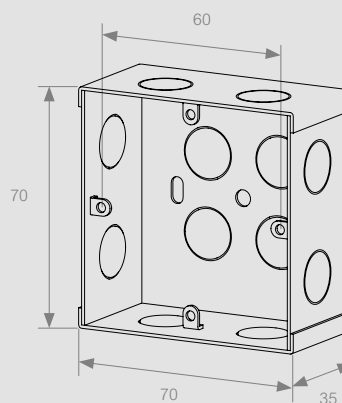
• Button locations

Required Back Box Dimensions

EU 2M Standard, Isometric view (mm)



UK 3x3 Standard, Isometric view (mm)



* Back box type must be defined at the time of order. Unless otherwise specified brackets for UK 3x3 back box will be provided.

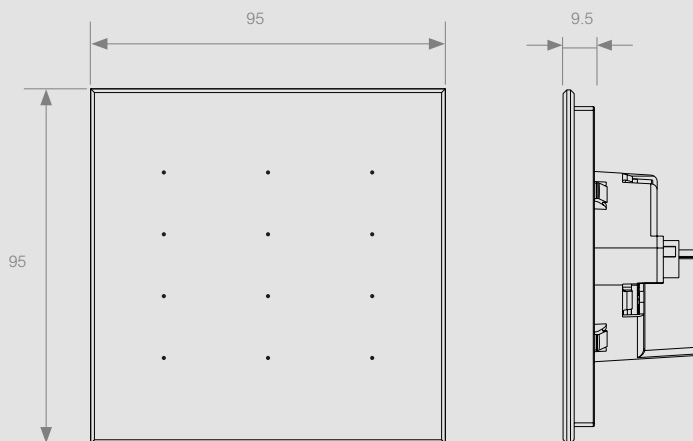
ARIA 12 Buttons

General purpose touch panel - up to 12 buttons



Product Dimensions

Front and side view (mm)

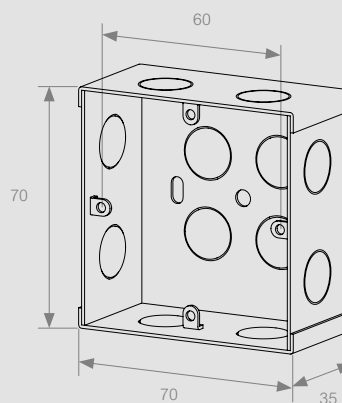
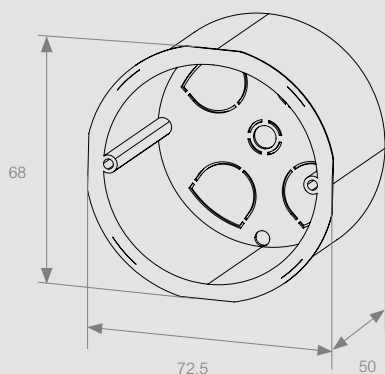


• Button locations

Required Back Box Dimensions

EU 2M Standard, Isometric view (mm)

UK 3x3 Standard, Isometric view (mm)



* Back box type must be defined at the time of order. Unless otherwise specified brackets for UK 3x3 back box will be provided.

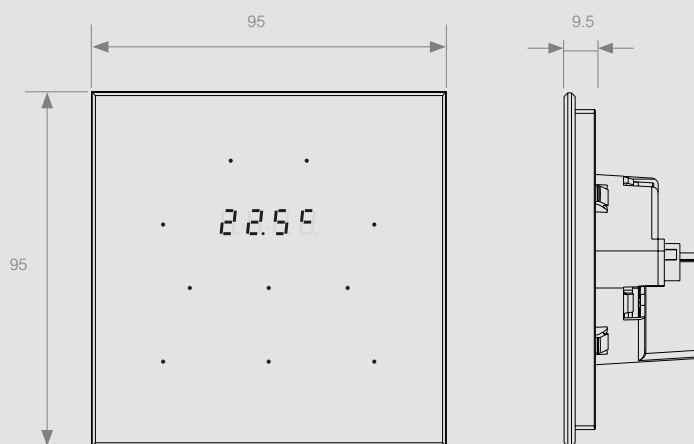
ARIA Thermostat

Thermostat touch panel - up to 10 buttons



Product Dimensions

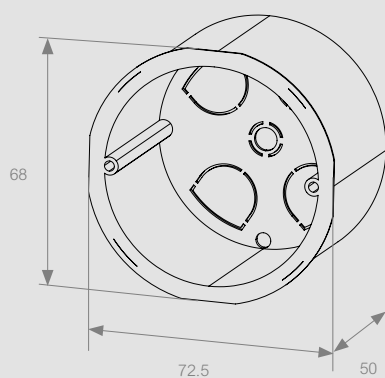
Front and side view (mm)



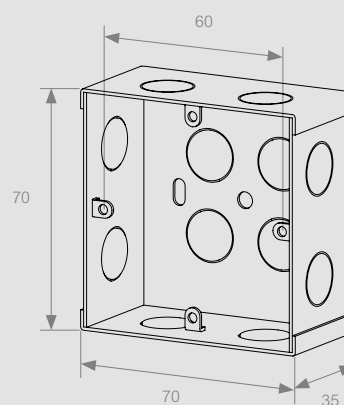
- Button locations

Required Back Box Dimensions

EU 2M Standard, Isometric view (mm)



UK 3x3 Standard, Isometric view (mm)



* Back box type must be defined at the time of order. Unless otherwise specified brackets for UK 3x3 back box will be provided.

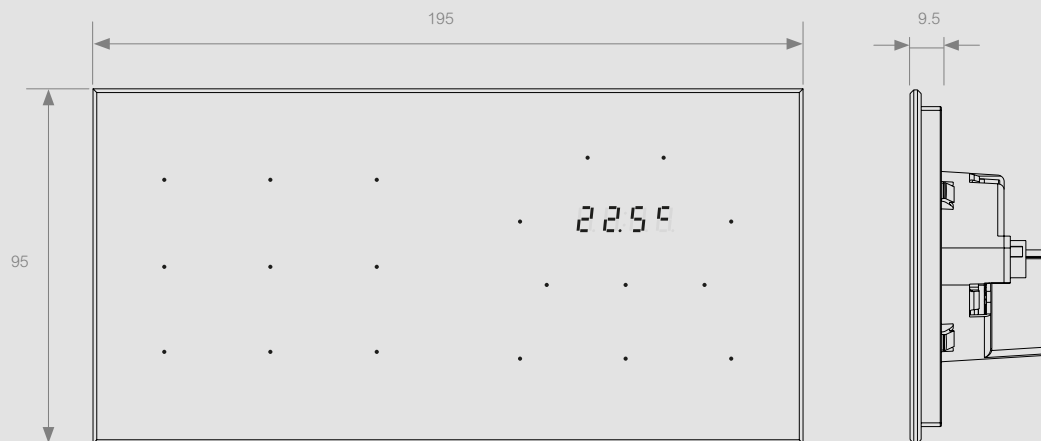
ARIA 9 Buttons & Thermostat

Thermostat touch panel - up to 19 buttons



Product Dimensions

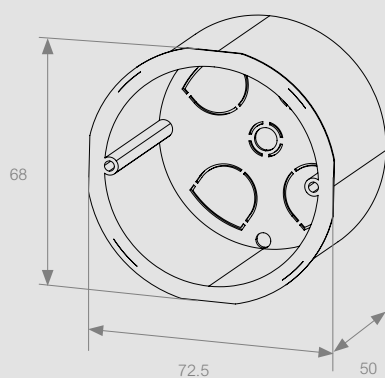
Front and side view (mm)



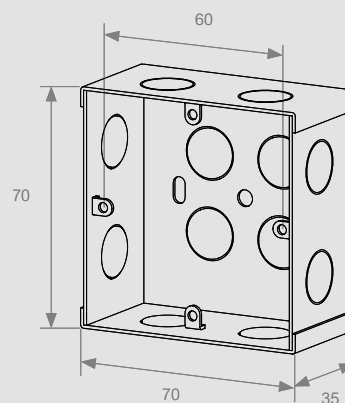
• Button locations

Required Back Box Dimensions

2x EU 2M Standard, Isometric view (mm)



2x UK 3x3 Standard, Isometric view (mm)



* Back box type must be defined at the time of order. Unless otherwise specified brackets for UK 3x3 back box will be provided.

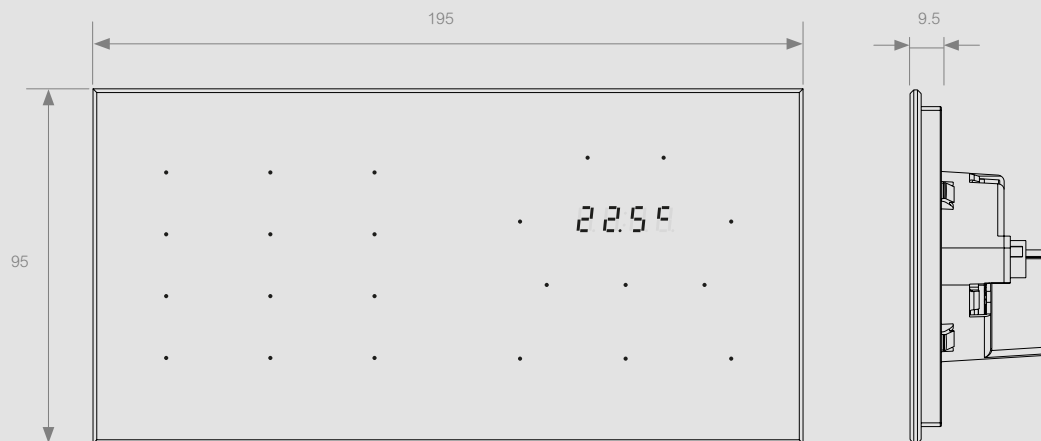
ARIA 12 Buttons & Thermostat

Thermostat touch panel - up to 22 buttons



Product Dimensions

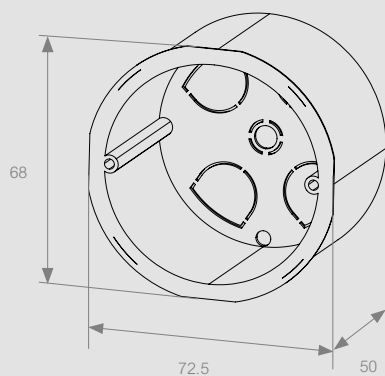
Front and side view (mm)



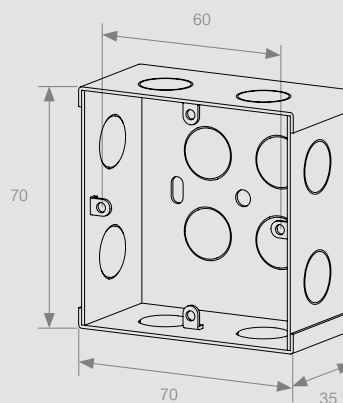
• Button locations

Required Back Box Dimensions

2x EU 2M Standard, Isometric view (mm)



2x UK 3x3 Standard, Isometric view (mm)



* Back box type must be defined at the time of order. Unless otherwise specified brackets for UK 3x3 back box will be provided.

ARIA T-DOT Series

Product Specification



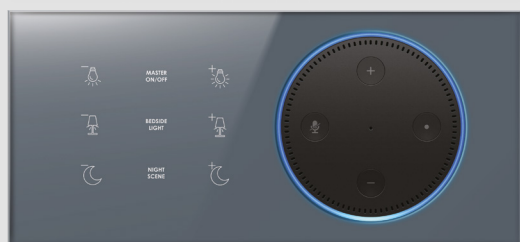
Product Type	ARIA T-DOT 9 Buttons	ARIA T-DOT 12 Buttons	ARIA T-DOT Thermostat
Power Supply	KNX version: 30V DC, with auxiliary 20-30V DC power supply for backlights Cresnet version: 24V DC $\pm 10\%$ RS-485 version: 24V DC $\pm 10\%$		
Power Supply Options	Echo Dot: 110/220V 50/60Hz		
Current Consumption	$\leq 2W$ excluding Amazon Echo Dot		
Physical Interfaces	KNX TP, RS-485 or Cresnet		
Communication Protocols	Touch panel: KNX, Modbus or Cresnet / Amazon Echo Dot: Bluetooth / WiFi 802.11a, b, g, n (2.4 / 5 GHz)		
Temperature Sensor	NTC, 0.5 °C accuracy		
Humidity Sensor (if available)	-		Wide Range
Screen Type	-		7-segment, 4-digit display
Max Quantity of Buttons	9	12	10
Status Indicators / Backlight	Individually programmable backlight color and brightness (KNX version: auxiliary 20-30V DC power supply required)		
Warm Up Time	10 seconds excluding Amazon Echo Dot		
Faceplate Options	Glass surface with customizable background color		
Case Material	PC excluding Amazon Echo Dot		
Mounting	Snap-in magnetic		
Dimensions (H x W x D)	230 x 105 x 4 mm		
Weight	490 g including Amazon Echo Dot		
Operating Temperature Range	0 °C - +45 °C		
Operating Humidity Range	90% R.H. max – non-condensing		
Storage and Transportation Temperature Range	-10 °C – +70 °C		
Storage and Transportation Humidity Range	90% R.H. max – non-condensing		
Protection Level	IP20 excluding Amazon Echo Dot		

ARIA T-DOT Series

Customization Examples

Various button and background color options

- Reference product images - different RAL and PANTONE colors are available upon request
- Reference icons - please contact the Sales department for the full list of icons



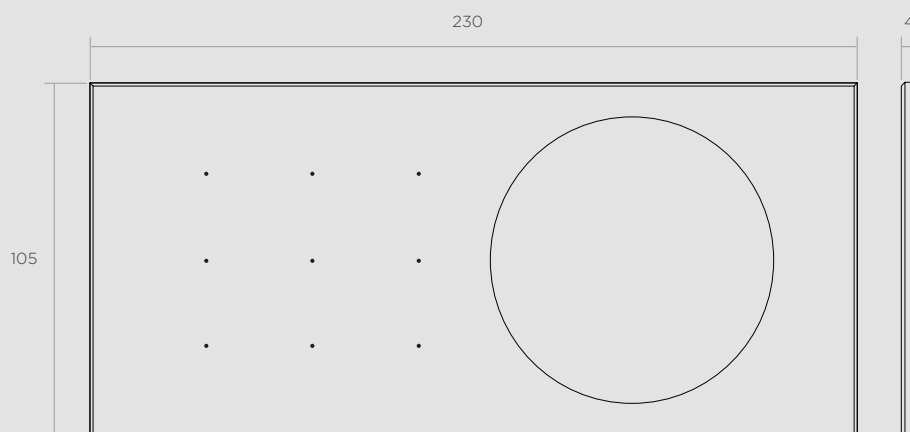
ARIA T-DOT 9 Buttons

Voice control touch panel - up to 9 buttons



Product Dimensions

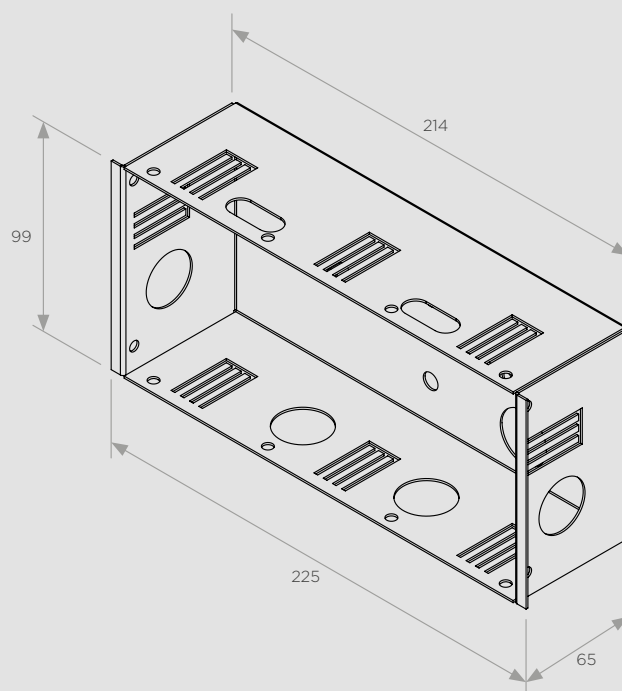
Front and side view (mm)



• Button locations

Required Back Box Dimensions

Isometric view (mm)



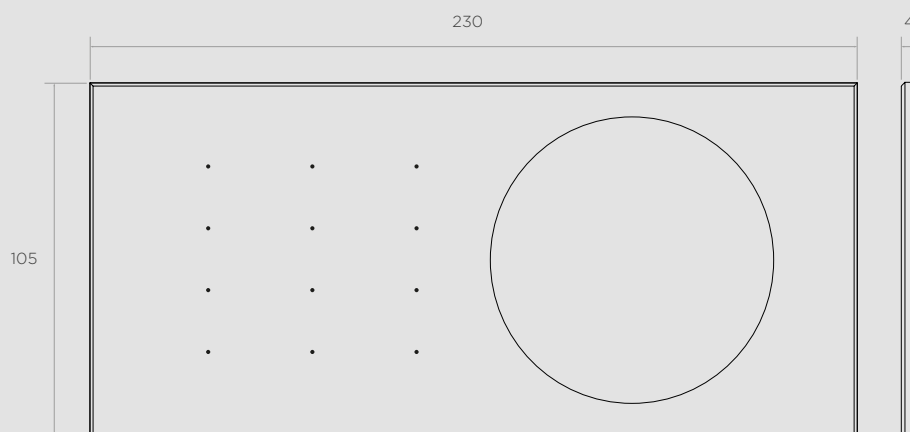
ARIA T-DOT 12 Buttons

Voice control touch panel - up to 12 buttons



Product Dimensions

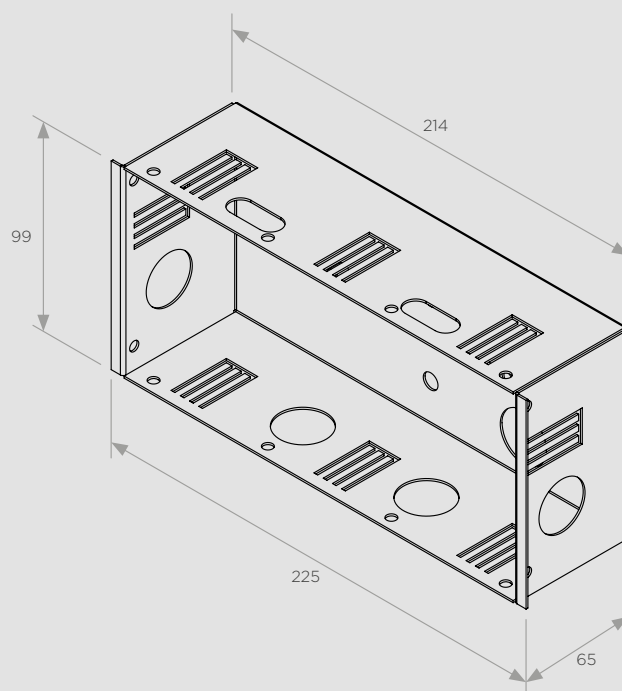
Front and side view (mm)



• Button locations

Required Back Box Dimensions

Isometric view (mm)



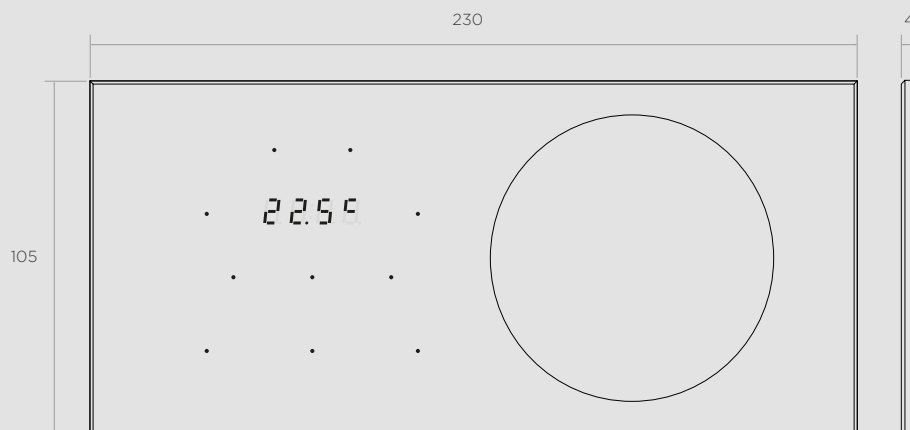
ARIA T-DOT Thermostat

Voice control touch panel - up to 10 buttons



Product Dimensions

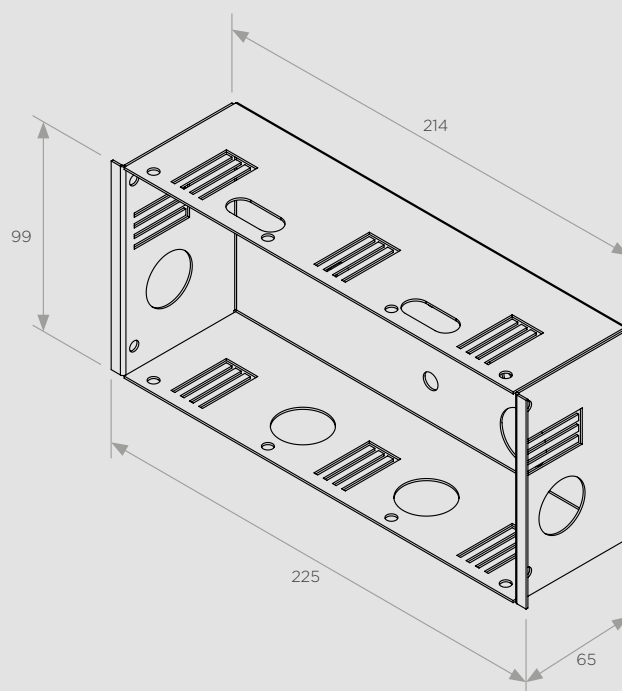
Front and side view (mm)



• Button locations

Required Back Box Dimensions

Isometric view (mm)



ARIA Socket Series

Product Specification



Product Type	ARIA 9 Buttons & Socket	ARIA 9 Buttons & 2x Socket	ARIA 12 Buttons & Socket	ARIA 12 Buttons & 2x Socket
Power Supply	KNX version: 30V DC, with auxiliary 20-30V DC power supply for backlights Cresnet version: 24V DC ±10% RS-485 version: 24V DC ±10%			
Current Consumption	≤2W			
Physical Interfaces	KNX TP, RS-485 or Cresnet			
Communication Protocols	Touch panel: KNX, Modbus or Cresnet			
Temperature Sensor	NTC, 0.5 °C accuracy			
Max Quantity of Buttons	9		12	
Status Indicators / Backlight	Individually programmable backlight color and brightness (KNX version: auxiliary 20-30V DC power supply required)			
Warm Up Time	10 seconds			
Faceplate Options	Glass surface with customizable background color			
Socket Options	Adapter for Legrand			
Number of Sockets	1	2	1	2
Case Material	PC			
Mounting	Snap-in magnetic and mechanical locking			
Dimensions (H x W x D)	195 x 95 x 9.5 mm	295 x 95 x 9.5 mm	195 x 95 x 9.5 mm	295 x 95 x 9.5 mm
Weight	307 g*	458 g*	319 g*	470 g*
Operating Temperature Range	0 °C - +45 °C			
Operating Humidity Range	90% R.H. max – non-condensing			
Storage and Transportation Temperature Range	-10 °C – +70 °C			
Storage and Transportation Humidity Range	90% R.H. max – non-condensing			
Protection Level	IP20			

* Weight may change depending on the socket adapter type

ARIA Socket Series

Customization Examples

Various button and background color options

- Reference product images - different RAL and PANTONE colors are available upon request
- Reference icons - please contact the Sales department for the full list of icons



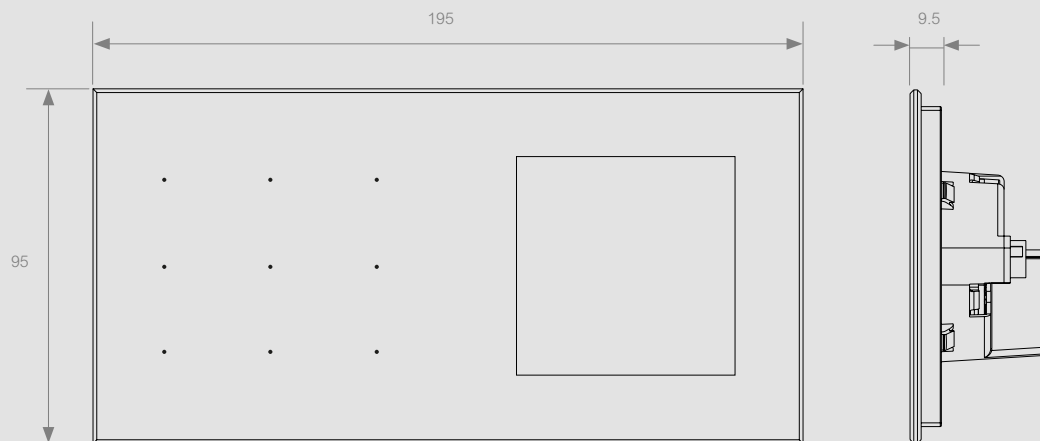
ARIA 9 Buttons & Socket

Touch panel with a socket - up to 9 buttons



Product Dimensions

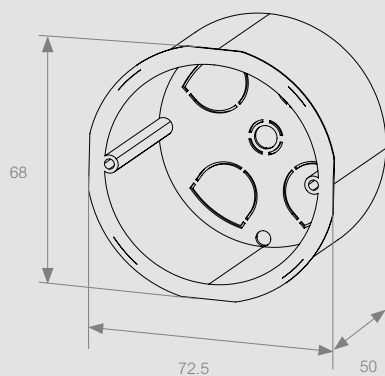
Front and side view (mm)



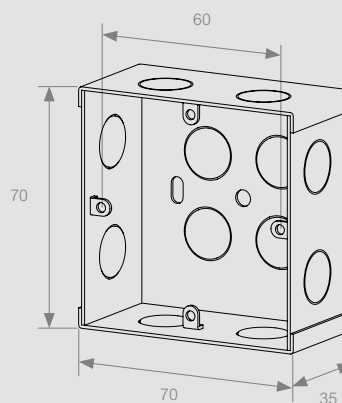
• Button locations

Required Back Box Dimensions

2x EU 2M Standard, Isometric view (mm)



2x UK 3x3 Standard, Isometric view (mm)



* Back box type must be defined at the time of order. Unless otherwise specified brackets for UK 3x3 back box will be provided

* Sockets are not comply with EU 2M back box

* Back box depth must comply with specific installed socket (shaver, ethernet plug, phone plug, USB ports, etc.)

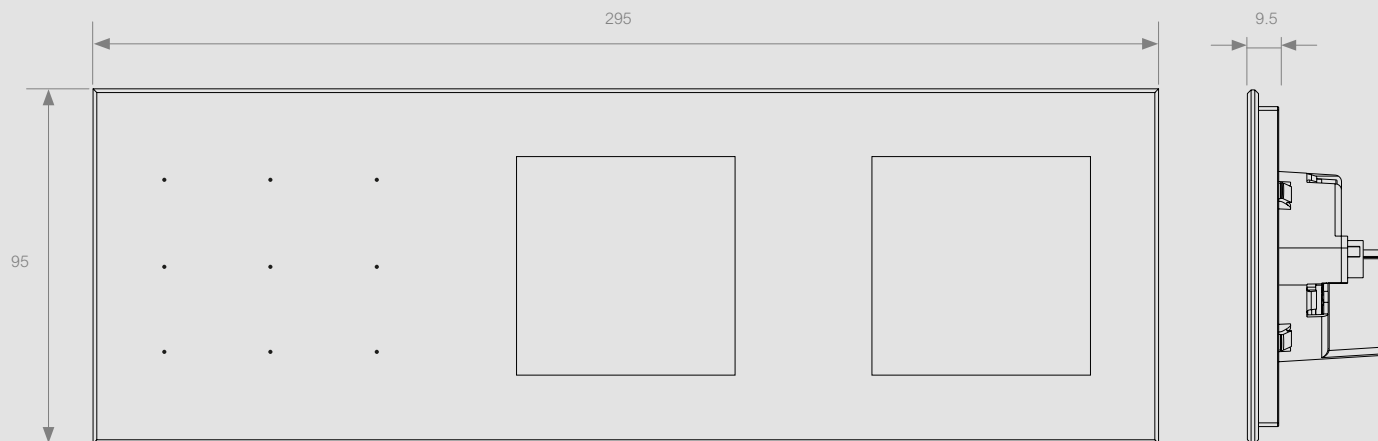
ARIA 9 Buttons & 2x Socket

Touch panel with two sockets
- up to 9 buttons



Product Dimensions

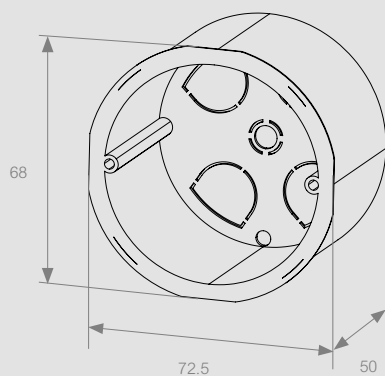
Front and side view (mm)



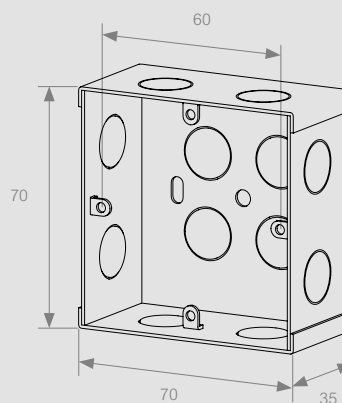
- Button locations

Required Back Box Dimensions

3x EU 2M Standard, Isometric view (mm)



3x UK 3x3 Standard, Isometric view (mm)



- * Back box type must be defined at the time of order. Unless otherwise specified brackets for UK 3x3 back box will be provided
- * Sockets are not comply with EU 2M back box
- * Back box depth must comply with specific installed socket (shaver, ethernet plug, phone plug, USB ports, etc.)

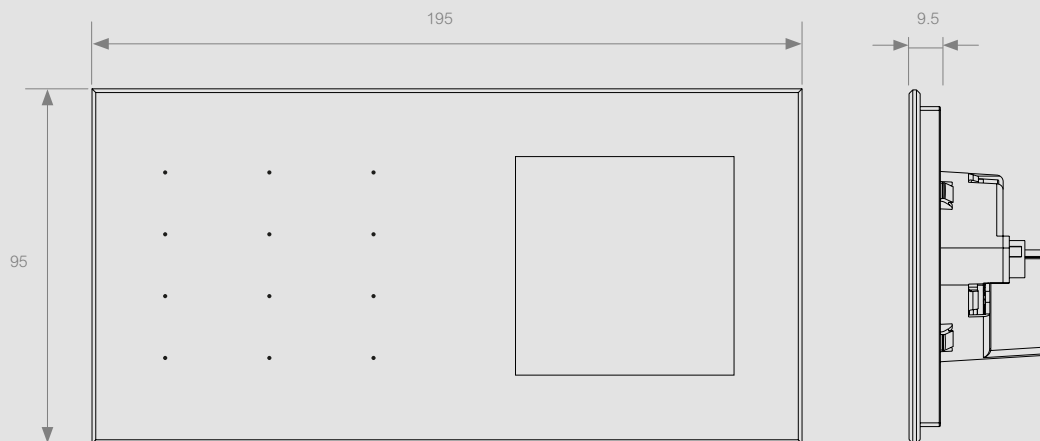
ARIA 12 Buttons & Socket

Touch panel with a socket - up to 12 buttons



Product Dimensions

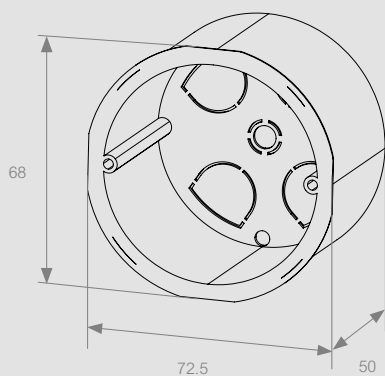
Front and side view (mm)



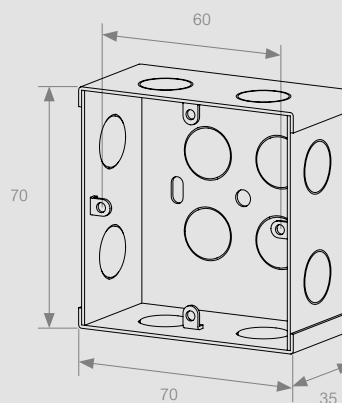
• Button locations

Required Back Box Dimensions

2x EU 2M Standard, Isometric view (mm)



2x UK 3x3 Standard, Isometric view (mm)



* Back box type must be defined at the time of order. Unless otherwise specified brackets for UK 3x3 back box will be provided
 * Sockets are not comply with EU 2M back box
 * Back box depth must comply with specific installed socket (shaver, ethernet plug, phone plug, USB ports, etc.)

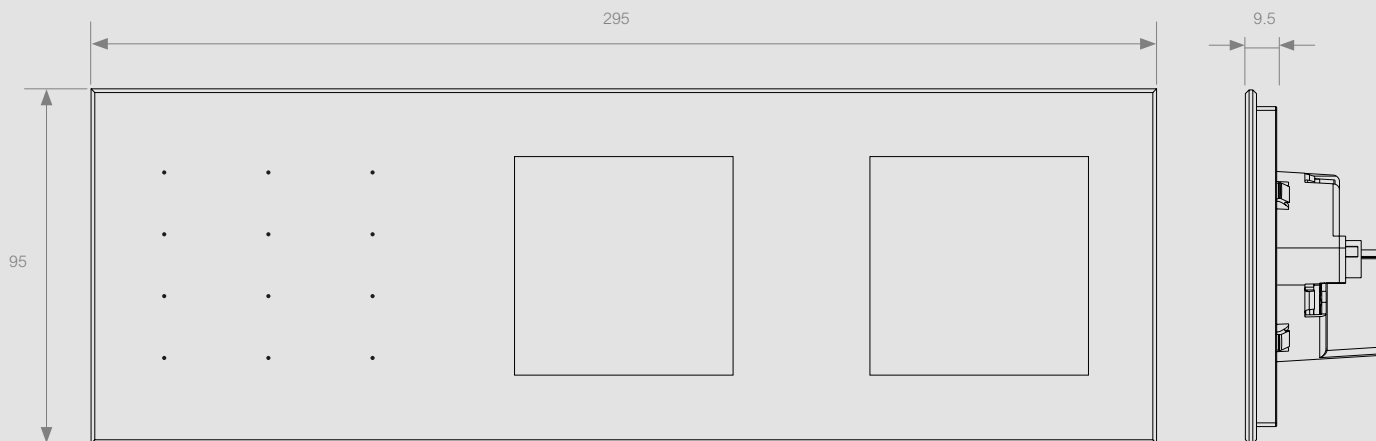
ARIA 12 Buttons & 2x Socket

Touch panel with two sockets
- up to 12 buttons



Product Dimensions

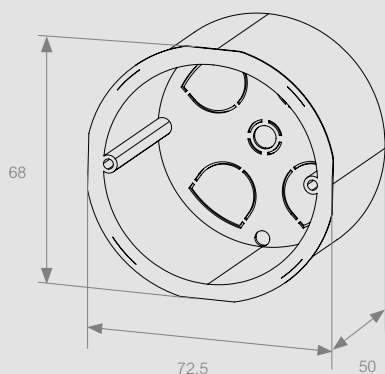
Front and side view (mm)



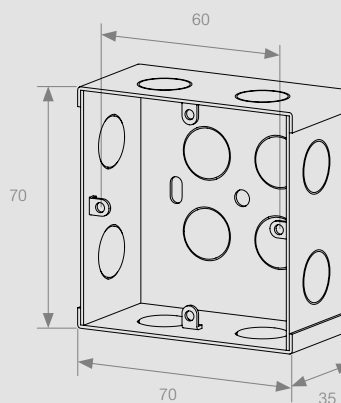
• Button locations

Required Back Box Dimensions

3x EU 2M Standard, Isometric view (mm)



3x UK 3x3 Standard, Isometric view (mm)



* Back box type must be defined at the time of order. Unless otherwise specified brackets for UK 3x3 back box will be provided
 * Sockets are not comply with EU 2M back box
 * Back box depth must comply with specific installed socket (shaver, ethernet plug, phone plug, USB ports, etc.)